

# Frames for concealed sockets

## TECHNICAL FEATURES



Hide4 is the only concealed socket compatible with 3-module boxes for masonry walls on the market (see compatibility table) which only protrudes from the wall by 11 mm.

It consists of three elements: a frame with connections for electrical or signal devices which contains the plugs connected to it; a cap that closes the inspection compartment; a sliding/tilting cover.

### Main features of the hide frames

Self extinguishing Bayblend PC+ABS V0 frame and cap

### Connection compatibility

Hide - Vimar Plana - Gewiss Chorus

### Regulatory conformity

CE Mark

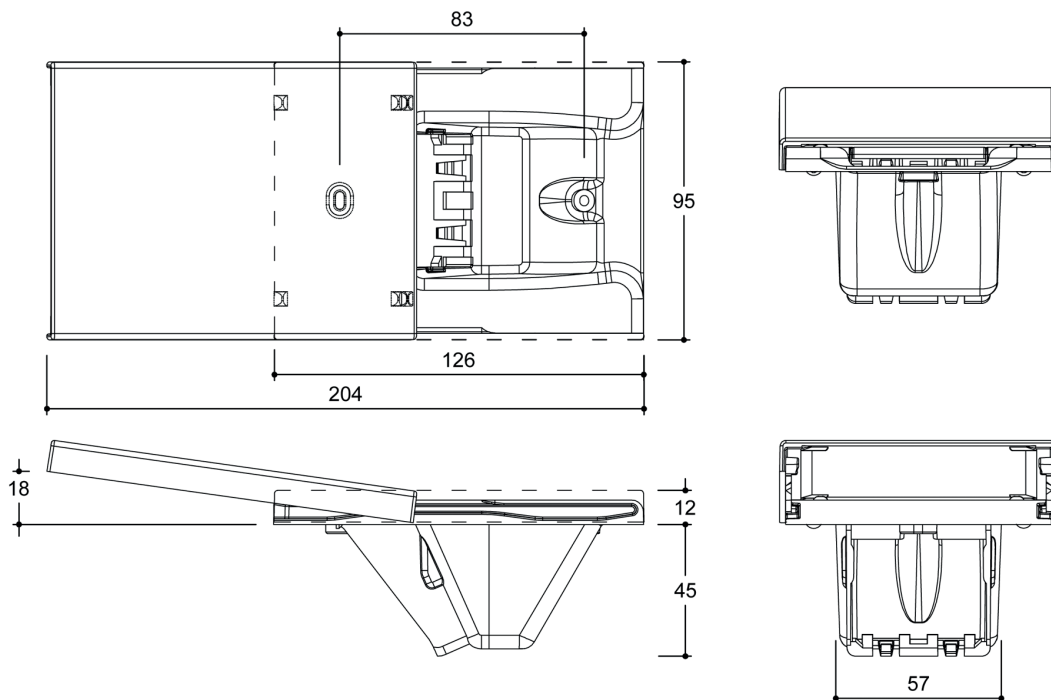
### Colours

White - Techno Grey - Anthracite Grey

### Recessed boxes - COMPATIBILITY

	Recessed boxes for masonry walls				Recessed boxes for mobile partitions			
	Bticino 503E	Gewiss GW24403	Vimar V71303	Ave 2503	Bticino PB503	Gewiss GW24207 GW24403PM	Vimar V71703	Ave 253CG
Hide	YES	YES	YES	YES	NO	NO	NO	NO

### Frames for concealed sockets - OVERALL DIMENSIONS





IN BOX



IN BLISTER PACK

Product	Code	Description
	<b>BOX</b> 4B.01.002 <b>BLISTER PACK</b> 4B.50.002	3-module Hide White 2-pin duplex socket (+ 10A and 16A plugs)
	<b>BOX</b> 4B.01.003 <b>BLISTER PACK</b> 4B.50.003	3-module Hide White 2 RJ45 casings
	<b>BOX</b> 4B.01.004 <b>BLISTER PACK</b> 4B.50.004	3-module Hide White 2 RJ45 sockets Cat. 6 UTP
	<b>BOX</b> 4B.01.006 <b>BLISTER PACK</b> 4B.50.006	3-module Hide White Insulated direct TV socket and Sat socket
	<b>BOX</b> 4B.01.007 <b>BLISTER PACK</b> 4B.50.007	3-module Hide White Direct TV socket D.C. passage and Sat socket
	<b>BOX</b> 4B.01.008 <b>BLISTER PACK</b> 4B.50.008	3-module Hide White Direct TV/Sat socket and bypass socket (+ 10A plug)
	<b>BOX</b> 4B.01.009 <b>BLISTER PACK</b> 4B.50.009	3-module Hide White Secondary TV/Sat socket and bypass socket (+ 10A plug)
	<b>BOX</b> 4B.01.010 <b>BLISTER PACK</b> 4B.50.010	3-module Hide White Direct TV/Sat socket and RJ45 socket Cat. 6 UTP
	<b>BOX</b> 4B.01.011 <b>BLISTER PACK</b> 4B.50.011	3-module Hide White Secondary TV/Sat socket and RJ45 socket Cat. 6 UTP
	<b>BOX</b> 4B.01.012 <b>BLISTER PACK</b> 4B.50.012	3-module Hide White Sat socket and RJ45 socket Cat. 6 UTP
	<b>BOX</b> 4B.01.013 <b>BLISTER PACK</b> 4B.50.013	3-module Hide White TV+Sat socket 2 modules
	<b>BOX</b> 4B.01.014 <b>BLISTER PACK</b> 4B.50.014	3-module Hide White 2 2-pin sockets (+ 10A and 16A plugs)
	<b>BOX</b> 4B.01.015 <b>BLISTER PACK</b> 4B.50.015	3-module Hide White Schuko bivalent socket (+ 16A plug)
	<b>BOX</b> 4B.01.H21 <b>BLISTER PACK</b> 4B.50.H21	3-module Hide White Socket $S_{i}r_{f}$ (+ 10A and 16A plugs)

Product	Code	Description
	<b>BOX</b> 4B.02.002 <b>BLISTER PACK</b> 4B.51.002	3-module Hide Techno grey colour 2-pin duplex socket (+ 10A and 16A plugs)
	<b>BOX</b> 4B.02.003 <b>BLISTER PACK</b> 4B.51.003	3-module Hide Techno grey colour 2 RJ45 casings
	<b>BOX</b> 4B.02.004 <b>BLISTER PACK</b> 4B.51.004	3-module Hide Techno grey colour 2 RJ45 sockets Cat. 6 UTP
	<b>BOX</b> 4B.02.006 <b>BLISTER PACK</b> 4B.51.006	3-module Hide Techno grey colour Insulated direct TV socket and Sat socket
	<b>BOX</b> 4B.02.007 <b>BLISTER PACK</b> 4B.51.007	3-module Hide Techno grey colour Direct TV socket D.C. passage and Sat socket
	<b>BOX</b> 4B.02.008 <b>BLISTER PACK</b> 4B.51.008	3-module Hide Techno grey colour Direct TV/Sat socket and bypass socket (+ 10A plug)
	<b>BOX</b> 4B.02.009 <b>BLISTER PACK</b> 4B.51.009	3-module Hide Techno grey colour Secondary TV/Sat socket and bypass socket (+ 10A plug)
	<b>BOX</b> 4B.02.010 <b>BLISTER PACK</b> 4B.51.010	3-module Hide Techno grey colour Direct TV/Sat socket and RJ45 socket Cat. 6 UTP
	<b>BOX</b> 4B.02.011 <b>BLISTER PACK</b> 4B.51.011	3-module Hide Techno grey colour Secondary TV/Sat and RJ45 socket Cat. 6 UTP
	<b>BOX</b> 4B.02.012 <b>BLISTER PACK</b> 4B.51.012	3-module Hide Techno grey colour Sat socket and RJ45 socket Cat. 6 UTP
	<b>BOX</b> 4B.02.013 <b>BLISTER PACK</b> 4B.51.013	3-module Hide Techno grey colour TV + Sat socket 2 modules
	<b>BOX</b> 4B.02.014 <b>BLISTER PACK</b> 4B.51.014	3-module Hide Techno grey colour 2 2-pin sockets (+ 10A and 16A plugs)
	<b>BOX</b> 4B.02.015 <b>BLISTER PACK</b> 4B.51.015	3-module Hide Techno grey colour Schuko bivalent socket (+ 16A plug)
	<b>BOX</b> 4B.02.H21 <b>BLISTER PACK</b> 4B.51.H21	3-module Hide Techno grey colour Socket $S_{i}r_{f}$ (+ 10A and 16A plugs)

Product	Code	Description
	<b>BOX</b> 4B.03.002 <b>BLISTER PACK</b> 4B.52.002	3-module Hide Dark grey colour 2-pin duplex socket (+ 10A and 16A plugs)
	<b>BOX</b> 4B.03.003 <b>BLISTER PACK</b> 4B.52.003	3-module Hide Dark grey colour 2 RJ45 casings
	<b>BOX</b> 4B.03.004 <b>BLISTER PACK</b> 4B.52.004	3-module Hide Dark grey colour 2 RJ45 sockets Cat. 6 UTP
	<b>BOX</b> 4B.03.006 <b>BLISTER PACK</b> 4B.52.006	3-module Hide Dark grey colour Insulated direct TV socket and Sat socket
	<b>BOX</b> 4B.03.007 <b>BLISTER PACK</b> 4B.52.007	3-module Hide Dark grey colour Direct TV socket D.C. passage and Sat socket
	<b>BOX</b> 4B.03.008 <b>BLISTER PACK</b> 4B.52.008	3-module Hide Dark grey colour Direct TV/Sat socket and bypass socket (+ 10A plug)
	<b>BOX</b> 4B.03.009 <b>BLISTER PACK</b> 4B.52.009	3-module Hide Dark grey colour Secondary TV/Sat socket and bypass socket (+ 10A plug)
	<b>BOX</b> 4B.03.010 <b>BLISTER PACK</b> 4B.52.010	3-module Hide Dark grey colour Direct TV/Sat socket and RJ45 socket Cat. 6 UTP
	<b>BOX</b> 4B.03.011 <b>BLISTER PACK</b> 4B.52.011	3-module Hide Dark grey colour Secondary TV/Sat socket and RJ45 socket Cat. 6 UTP
	<b>BOX</b> 4B.03.012 <b>BLISTER PACK</b> 4B.52.012	3-module Hide Dark grey colour Sat socket and RJ45 socket Cat. 6 UTP
	<b>BOX</b> 4B.03.013 <b>BLISTER PACK</b> 4B.52.013	3-module Hide Dark grey colour TV+Sat socket 2 modules
	<b>BOX</b> 4B.03.014 <b>BLISTER PACK</b> 4B.52.014	3-module Hide Dark grey colour 2 2-pin sockets (+ 10A and 16A plugs)
	<b>BOX</b> 4B.03.015 <b>BLISTER PACK</b> 4B.52.015	3-module Hide Dark grey colour Schuko bivalent socket (+ 16A plug)
	<b>BOX</b> 4B.03.H21 <b>BLISTER PACK</b> 4B.52.H21	3-module Hide Dark grey colour Socket $S_{i}r_{f}$ (+ 10A and 16A plugs)